

Messing magneetventiel 2/2 indirect gestuurd

Productnummer 8150

Geschikt voor de maten van 3/4" tot en met 2"

Presentation:

S.V. with pilot control for interception of fluids compatible with the construction materials.

A minimum operational pressure of 0,2 bar is required.

The materials used and the tests carried out ensure maximum reliability and duration.

Use: Automation
Heating

Pipes: G 3/4 - G 2

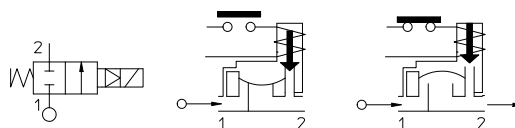
Coils: 8W - Ø 13
BDA - BSA 155°C (class F)
BDV 180°C (class H)

COIL HOUSING AND COIL FORMER MATERIAL ARE MADE BY 100% VIRGIN MATERIAL.



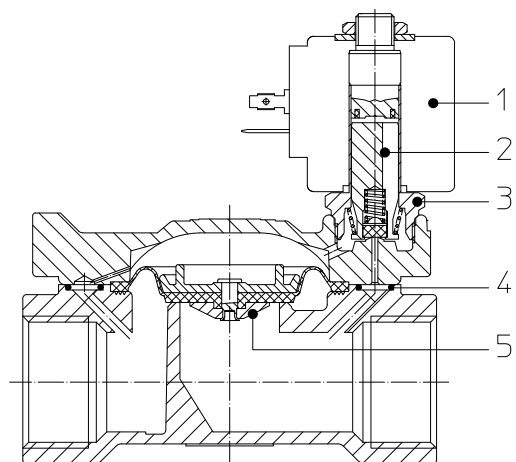
Gaskets	Temperature		Medium
B =NBR (nitrile rubber)	- 10°C	+ 90°C	Air, inert gas, water
E =EPDM (ethylene-propylene)	- 10°C	+140°C	Water, low pressure steam
V =FKM (fluoroelastomer)	- 10°C	+140°C	Mineral oils (2°E), gasoline gas oil

For seals other than NBR replace the letter "B" with the ones corresponding to the other seals. E.I. 21W3KE190.



Pipe ISO 228/1	Max viscosity		Ø mm	Kv l/mn	Power watt	Pressure		
	cSt	°E				min	M.O.P.D.	
						bar	AC bar	DC bar
G 3/4	12	~ 2	19	140	8	0,2	16	16
G 1			25	190				
G 1 1/4			35	400				
G 1 1/2			40	520			10	10
G 2			50	750				

Messing magneetventiel 2/2 indirect gestuurd



Materials:

- Body** Brass - UNI EN 12165 CW617N
- Armature tube** Stainless steel AISI series 300
- Fixed core** Stainless steel AISI series 400
- Plunger** Stainless steel AISI series 400
- Phase displacement ring** Copper - Cu 99,9%
- Spring** Stainless steel AISI series 300
- Seal** Standard: B=NBR
On request: E=EPDM V=FKM
- Orifice** Brass - UNI EN 12165 CW617N

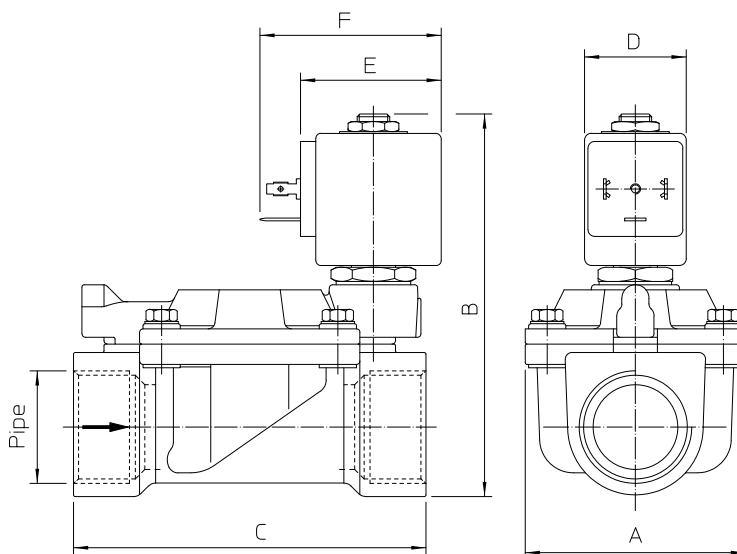
On request:

- Connector** Pg 9 or Pg 11
- Connector conformity** ISO 4400

Features:

- Electrical conformity** IEC 335
- Protection degree** IP 65 EN 60529 (DIN 40050)
with coil fitted by connector.

Dimensions:



Pipe ISO 228/1	A mm	B mm	C mm
G 3/4	65	105	104
G 1		112	
G 1 1/4	98	125	144
G 1 1/2			
G 2	118	141	172

COIL TYPE	POWER ABSORPTION			DIMENSIONS		
	W ---	Hold VA ~	Inrush VA ~	D mm	E mm	F mm
B	8	14,5	25	30	42	54